

DETAIL H

RECESSED TRACK WITH U-CHANNEL

Tolerances:

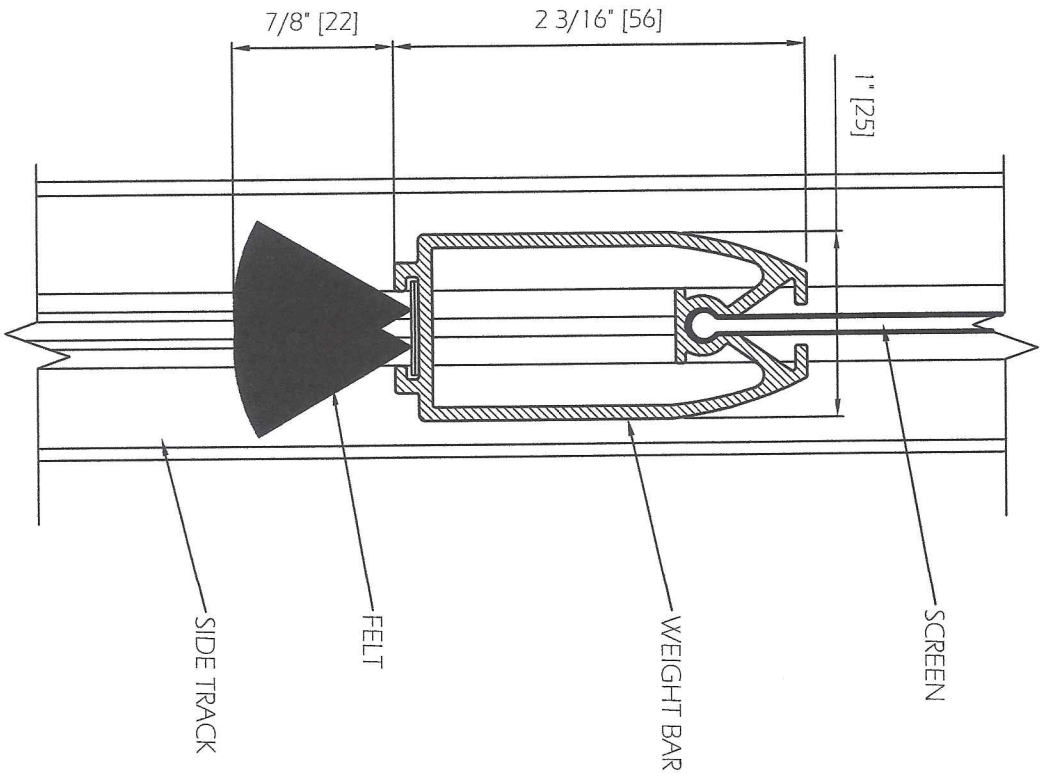
'Break all edges'



Kim Boynton
 38andco@gmail.com
 941-504-4355
 www.three8thsandco.com

Title: Detail H

Scale: 1" = 1" Date: 25 AUG 09



DETAIL D

WEIGHT BAR

Tolerances:



Kim Boynton
 38andco@gmail.com
 941-504-4355
 www.three8hsandco.com

Title: Detail D

'Break all edges'

Scale: 1"=1" Date: 25 AUG 09